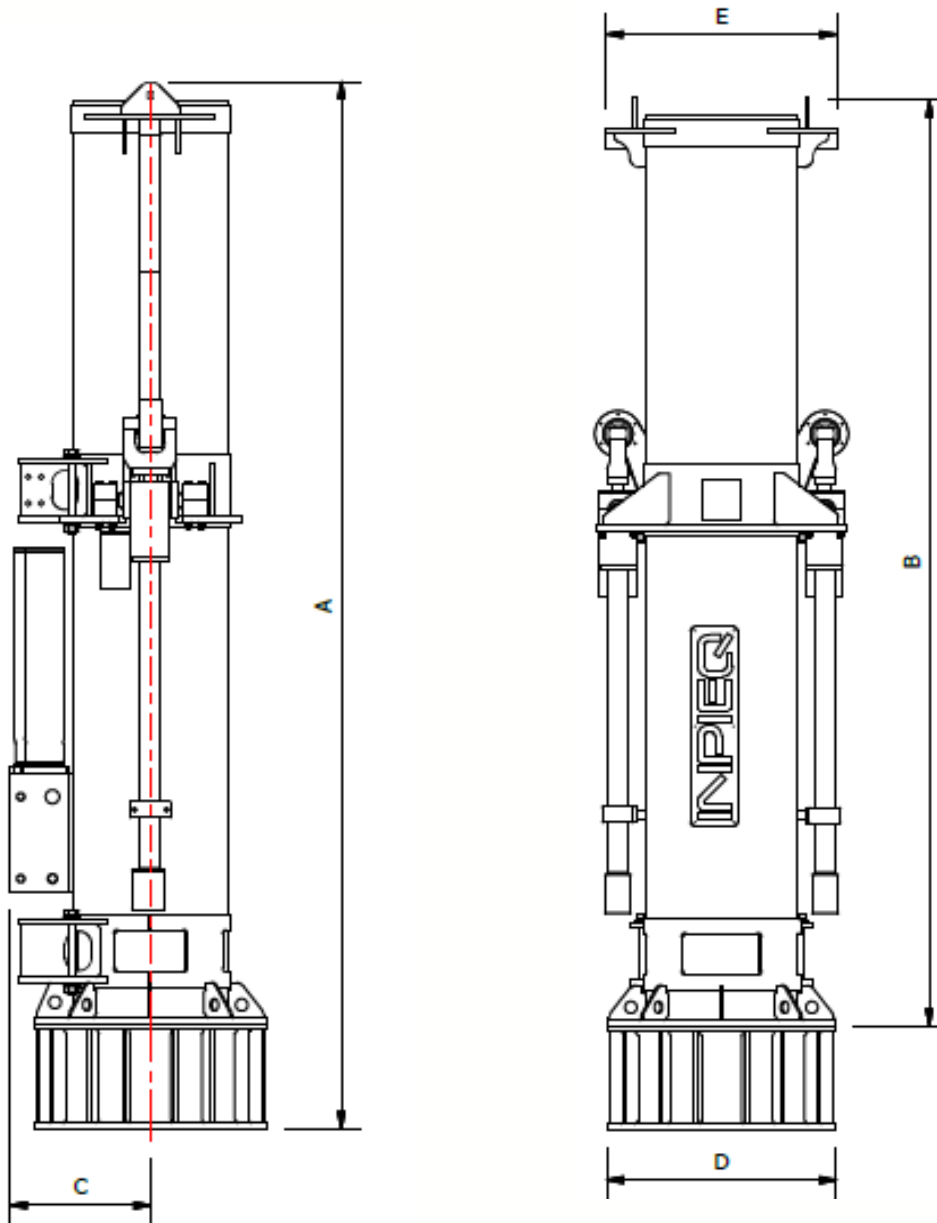


CPE hammer



INPIEQ

HALSTEREN - The Netherlands

T: +31 (0) 164 68 77 40

E: info@inpieq.nl

www.inpieq.nl

CPE hammer

TECHNICAL DATA

		CPE-15	CPE-30	CPE-55	CPE-75	
Max. energy	kNm	15	30	55	75	
Max. drop height	mm	40-1000	40-1000	40-1000	40-1000	
Blows per min.		40-100	40-100	40-100	40-100	
Ram weight	kg	1000	2000	3700	5000	
Total weight	kg	1960	2960	5350	7400	
Oil flow	l/min	145	145	360	400	
Working pressure	bar	120	240	150	220	
Size:	A	mm	3450	3950	4000	4000
	B	mm	3225	3725	3575	3575
	C	mm	435	435	530	530
	D	mm	□ 620	□ 620	□ 880	□ 880
	E	mm	□ 500	□ 500	□ 890	□ 890
Drive cap types	A	steel	steel	steel	steel	
	B	concrete	concrete	concrete	concrete	
Drive cap	mm	A: Ø 450	A: Ø 450	A: Ø 610	A: Ø 610	
max. inside diameter	mm	B: □ 280	B: □ 280	B: □ 450	B: □ 450	

OPTION

- guide claws
- energy measurement
- sound isolation
- extra drive cap
- pile sleeves
- registration system
- power pack
- lifting cat

INPIEQ

HALSTEREN - The Netherlands
T: +31 (0) 164 68 77 40
E: info@inpieq.nl

www.inpieq.nl